



**Red: PAINTED ITEMS**  
**Blue: KITS**

1. All labeled components are to be assembled before shipment unless otherwise noted.
2. All bearings are to be pressed in with force applied to outer ring only.
3. All hardware to be torqued to specs listed in chart below.
4. Special notes if any are shown below.

PART NO.	Default/QTY.	DESCRIPTION
01-1055	1	5/16 -24 UNF x 1 1/4 Fine Thread Bolt
01-1115	4	3/8 -16 UNC x 2 1/2 Bolt
01-1261	2	1/2 -13 UNC x 1 Bolt
01-1271	12	1/2 -13 UNC x 1 1/4 Bolt
01-1321	1	1/2 -13 UNC x 2 1/2 Bolt
01-1331	4	1/2 -13 UNC x 2 3/4 Bolt
01-1546	4	3/8 -16 UNC x 3/4 Bolt
01-1560	2	1/2 -13 UNC x 1 1/4 Bolt
01-1565	8	1/2 -13 UNC x 5 Bolt
01-2283	2	5/8-11 X 8 5/8 HH5 BOLT (PLATED)
01-4064	4	BOLT BH 3/8-16 X 2" ZINC
01-4071	10	BOLT BH , 1/4 -20 x 2 1/4" ZINC
03-1035	6	3/8" Lock Nut
03-1055	17	1/2" Lock Nut
03-1067	2	5/8" Lock Nut
03-3043	1	5/16" Lock Nut
04-2021	2	WASHER, FLAT, 3/8" USS
04-5206	4	WASHER, FLAT, 3/8" SAE
04-5207	20	WASHER, FLAT, 1/2" SAE
05-1030	2	Bushing Flange 1/2 x .75 x 0.5
05-1065	4	BRASS FLANGE BUSHING .760 X 1 X 1/2
05-1120	2	BUSHING BRASS 1 X 1 1/4 X 3/4
05-5130	1	IGUS BEARING 1/2 ID X 1/4 LONG
06-8275	8	Snap Ring, 17mm Heavy External
07-4124	1	Plunger Assembly Length 4"
07-5064	12	6203 RADIAL BEARING
07-7010	2	ROLL PIN 1/4" X 1
07-7041	1	1/4 X 2 ROLL PIN
07-9605	2	BEARING SLEEVE
07-9607	4	6203 BEARING CUP
07-9610	4	LINKAGE BUSHING
07-9683	2	P3 CR STORAGE PIN
09-1115	2	HAND GRIP 7/8 X 8 1/2
09-1224	3	GRIP ASSEMBLY HYD SEAT ADJUSTMENT
09-2020	2	1 1/2 SQ 11 GA FRAME PLUG
09-2060	4	1 1/2 X 3 11 GA FRAME PLUG
09-3050	2	HOLE PLUG 1 1/2 DIA
09-3055	2	2 X 4 11 GA FRAME PLUG

PART NO.	Default/QTY.	DESCRIPTION
09-4004	4	MOLDED UPH. ROLLER END CAP
09-4066	4	BUMPER 1 1/4 ID
09-4092	2	BUMPER
09-6025	1	ROLLER
09-9590	8	TUBE INSERT .760 ID PN3043-4-1
09-9610	2	TUBE INSERT 1.260 ID PN3041-4-1
09-9996	1	RELEASE LEVER
10-2045	1	COMPRESSION SPRING WO 1/2" DIA. 2" LG
10-3045	1	Stabilus 7613IL
12-1003	1	DECAL INDICATOR WHITE 10-1
12-1004 (P4GH)	1	DECAL INDICATOR BLACK 10-1
12-1810	1	DECAL MOVEMENT ARM RIGHT
12-1811	1	DECAL MOVEMENT ARM LEFT
12-5618	1	TRANSFER DECAL XPLOAD BLACK
12-5619	1	Nautilus Transfer Decal - Small BLACK
14-6321	1	FOOTPAD LEFT NWACD
14-6322	1	FOOTPAD RIGHT NWACD
30-2110	2	UPH. BUSHING 1.035 ID
31-0019	2	THIGH PAD ASSY P4GH
56-0038	4	WASHER
56-0109	1	RELEASE HEAD
56-0110	1	HUB PIVOT
56-0159	2	FOOTPAD FRONT
56-0160	1	SHAFT STANDARD
56-0211	4	SLEEVE STANDARD 1 61/64 LG
56-0212	4	COMPONENT ROLLER
56-0213	1	PIN PLUNGER ASSEMBLY LOCKING
56-0214	2	SPACER STANDARD NYLON UPH
56-0215	2	SPACER STANDARD NYLON 1.765 ID
56-0216	2	SPACER STANDARD NYLON .765 ID
56-0251	2	HANDLE STANDARD 7/8DIA X 10 3/4L
56-0252	1	SLEEVE PIVOT 3 17/64 LG
56-0261	1	HANDLE RELEASE
56-0284	1	PLATE INDICATOR
56-0336	1	FLANGE PLATE ENGAGE
56-0429	4	Movement Arm Sleeve Spacer
60-1107	1	FRAME SIDE RIGHT
60-1108	1	FRAME SIDE LEFT
61-1115	1	CM UPPER THIGH PAD
61-1116	1	CM LOWER FRONT
61-1117	1	CM LOWER REAR
62-1103	2	HB FRONT ASSIST
62-1104	1	HB MOVEMENT ARM
63-1122	1	LINK CONNECT REAR
63-1123	2	FLANGE ASSY LEFT
63-1126	1	UPPER ANKLE PAD MOUNT
63-1127	1	FOOT CARRIAGE ASSY
64-1100	1	MOVEMENT ARM P4GH
UP8070	4	UPHOLSTERY ROLLER



**Machine Specifications**  
Height: 58"  
Width: 52"  
Length: 66"

**P3 Glute Ham**  
**P3GH**

REV P

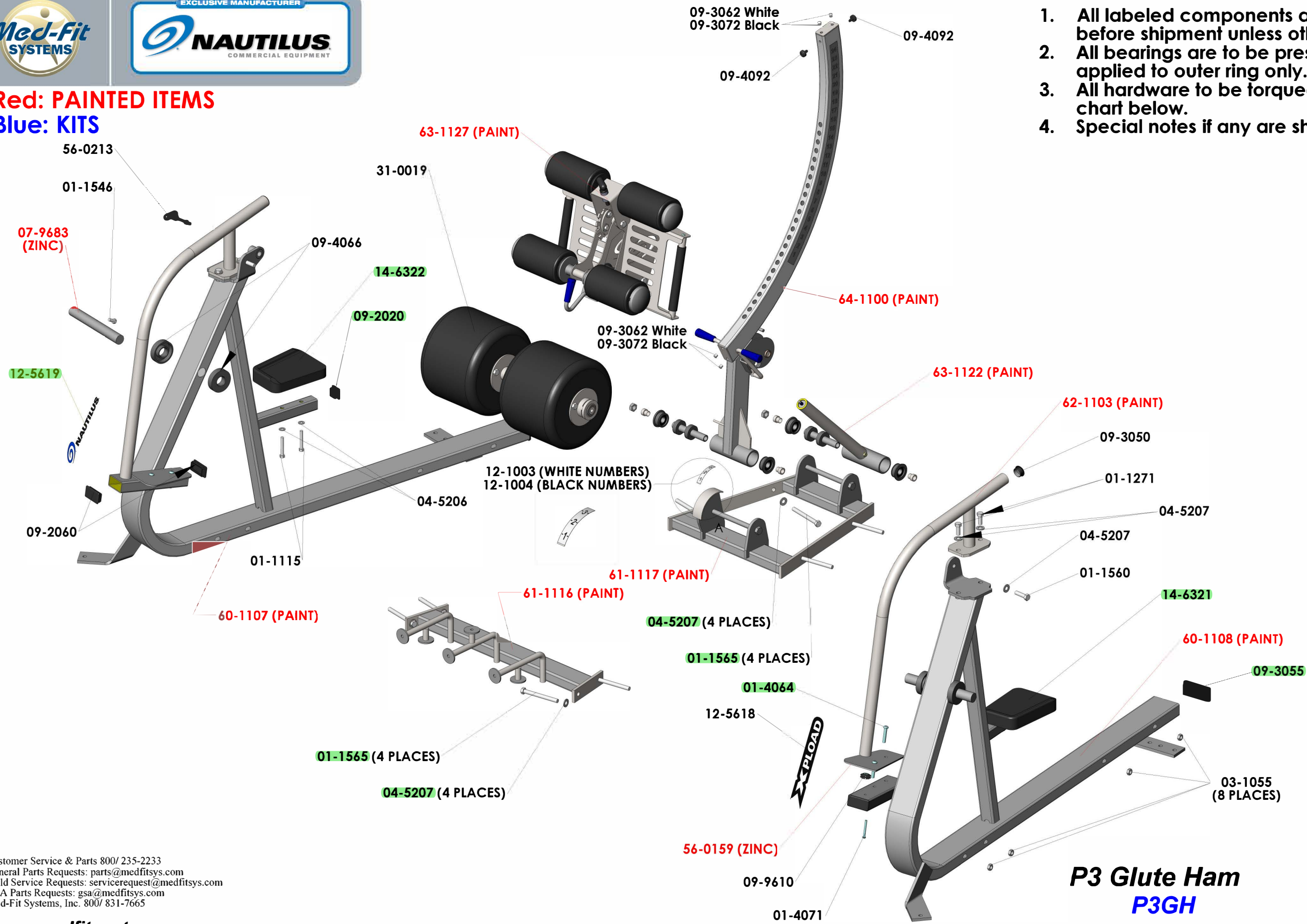
Bolt Torque Specifications		
Size	Grade 5	Grade 8
	Torque (ft-lbs)	Torque (ft-lbs)
1/4-20	8	12
1/4-28	10	14
5/16-18	17	25
3/8-16	30	45
7/16-14	50	70
1/2-13	75	110
1/2-20	90	120
5/8-11	150	220
5/8-18	180	240

Customer Service & Parts 800/ 235-2233  
General Parts Requests: parts@medfitsys.com  
Field Service Requests: servicerequest@medfitsys.com  
GSA Parts Requests: gsa@medfitsys.com  
Med-Fit Systems, Inc. 800/ 831-7665

[www.medfitsystems.com](http://www.medfitsystems.com)



**Red: PAINTED ITEMS**  
**Blue: KITS**



1. All labeled components are to be assembled before shipment unless otherwise noted.
2. All bearings are to be pressed in with force applied to outer ring only.
3. All hardware to be torqued to specs listed in chart below.
4. Special notes if any are shown below.

Customer Service & Parts 800/ 235-2233  
 General Parts Requests: parts@medfitsys.com  
 Field Service Requests: servicerequest@medfitsys.com  
 GSA Parts Requests: gsa@medfitsys.com  
 Med-Fit Systems, Inc. 800/ 831-7665

[www.medfitsystems.com](http://www.medfitsystems.com)

Bolt Torque Specifications		
Size	Grade 5	Grade 8
	Torque (ft-lbs)	Torque (ft-lbs)
1/4-20	8	12
1/4-28	10	14
5/16-18	17	25
3/8-16	30	45
7/16-14	50	70
1/2-13	75	110
1/2-20	90	120
5/8-11	150	220
5/8-18	180	240

**P3 Glute Ham**  
**P3GH**

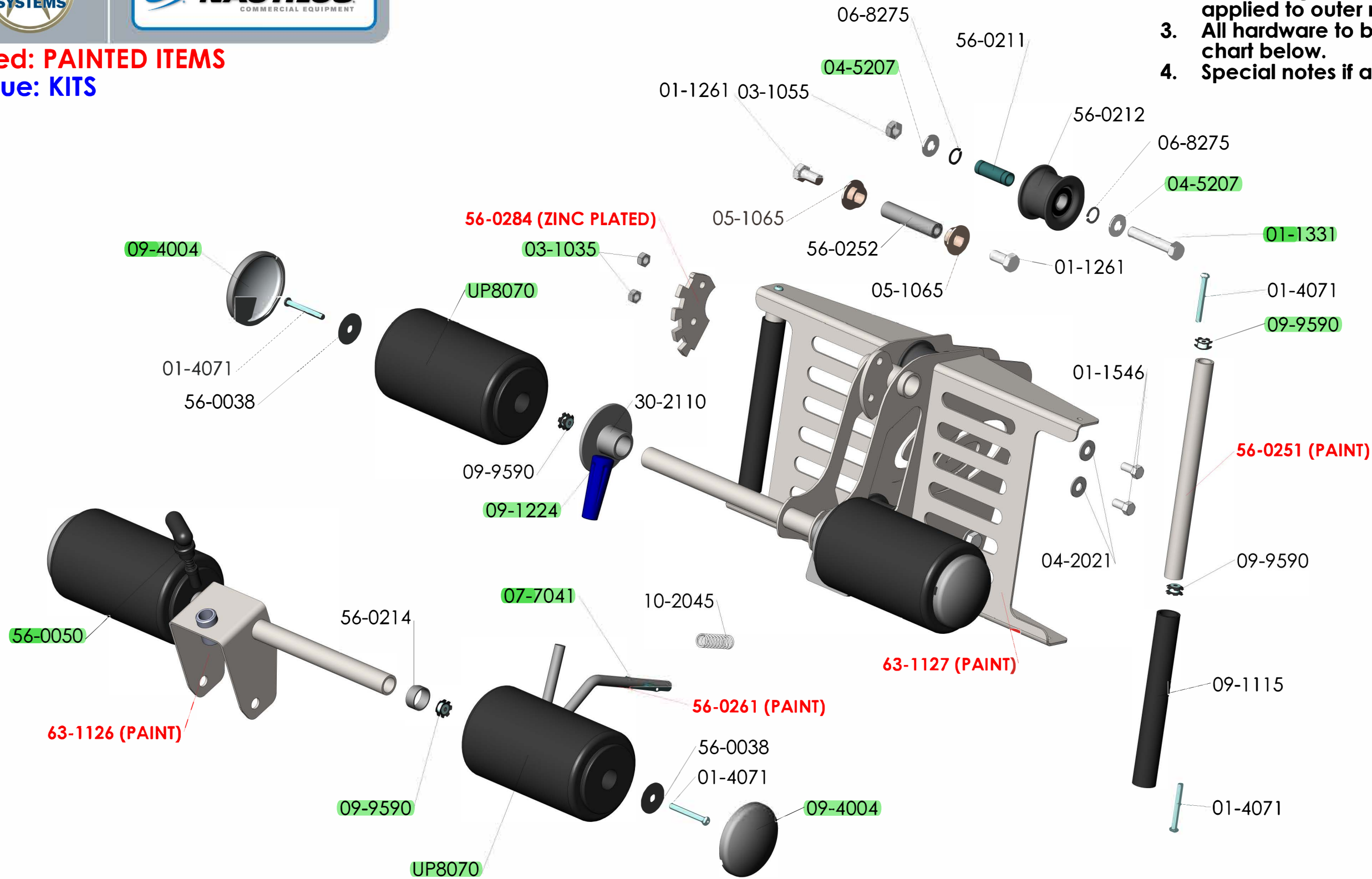
REV P





**Red: PAINTED ITEMS**  
**Blue: KITS**

1. All labeled components are to be assembled before shipment unless otherwise noted.
2. All bearings are to be pressed in with force applied to outer ring only.
3. All hardware to be torqued to specs listed in chart below.
4. Special notes if any are shown below.



Bolt Torque Specifications		
Size	Grade 5	Grade 8
	Torque (ft-lbs)	Torque (ft-lbs)
1/4-20	8	12
1/4-28	10	14
5/16-18	17	25
3/8-16	30	45
7/16-14	50	70
1/2-13	75	110
1/2-20	90	120
5/8-11	150	220
5/8-18	180	240

Customer Service & Parts 800/235-2233  
 General Parts Requests: parts@medfitsys.com  
 Field Service Requests: servicerequest@medfitsys.com  
 GSA Parts Requests: gsa@medfitsys.com  
 Med-Fit Systems, Inc. 800/831-7665

[www.medfitsystems.com](http://www.medfitsystems.com)

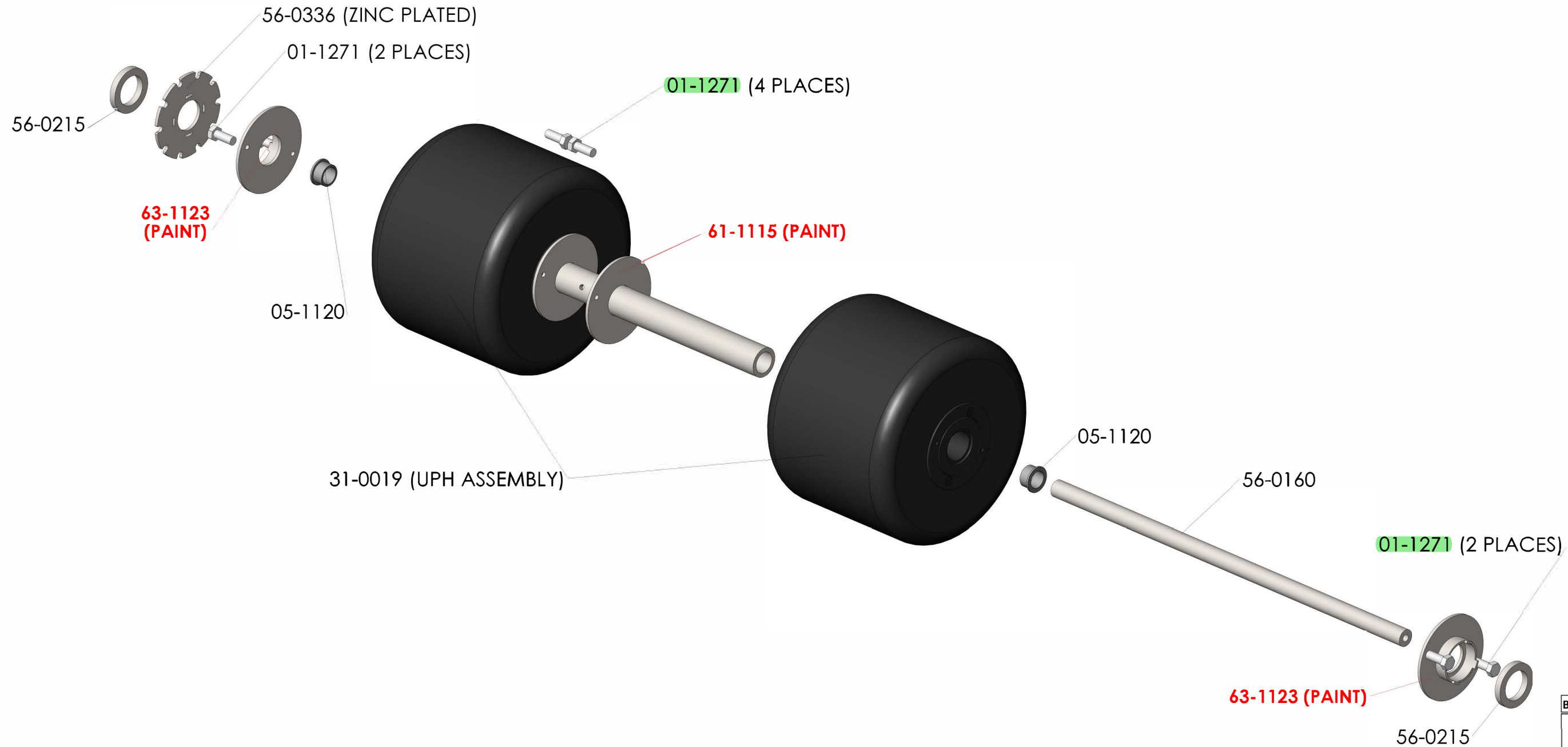
**P3 Glute Ham**  
**P3GH**

REV P



**Red: PAINTED ITEMS**  
**Blue: KITS**

1. All labeled components are to be assembled before shipment unless otherwise noted.
2. All bearings are to be pressed in with force applied to outer ring only.
3. All hardware to be torqued to specs listed in chart below.
4. Special notes if any are shown below.



Bolt Torque Specifications		
Size	Grade 5	Grade 8
	Torque (ft-lbs)	Torque (ft-lbs)
1/4-20	8	12
1/4-28	10	14
5/16-18	17	25
3/8-16	30	45
7/16-14	50	70
1/2-13	75	110
1/2-20	90	120
5/8-11	150	220
5/8-18	180	240

**P3 Glute Ham**  
**P3GH**

REV P

Customer Service & Parts 800/ 235-2233  
 General Parts Requests: parts@medfitsys.com  
 Field Service Requests: servicerequest@medfitsys.com  
 GSA Parts Requests: gsa@medfitsys.com  
 Med-Fit Systems, Inc. 800/ 831-7665

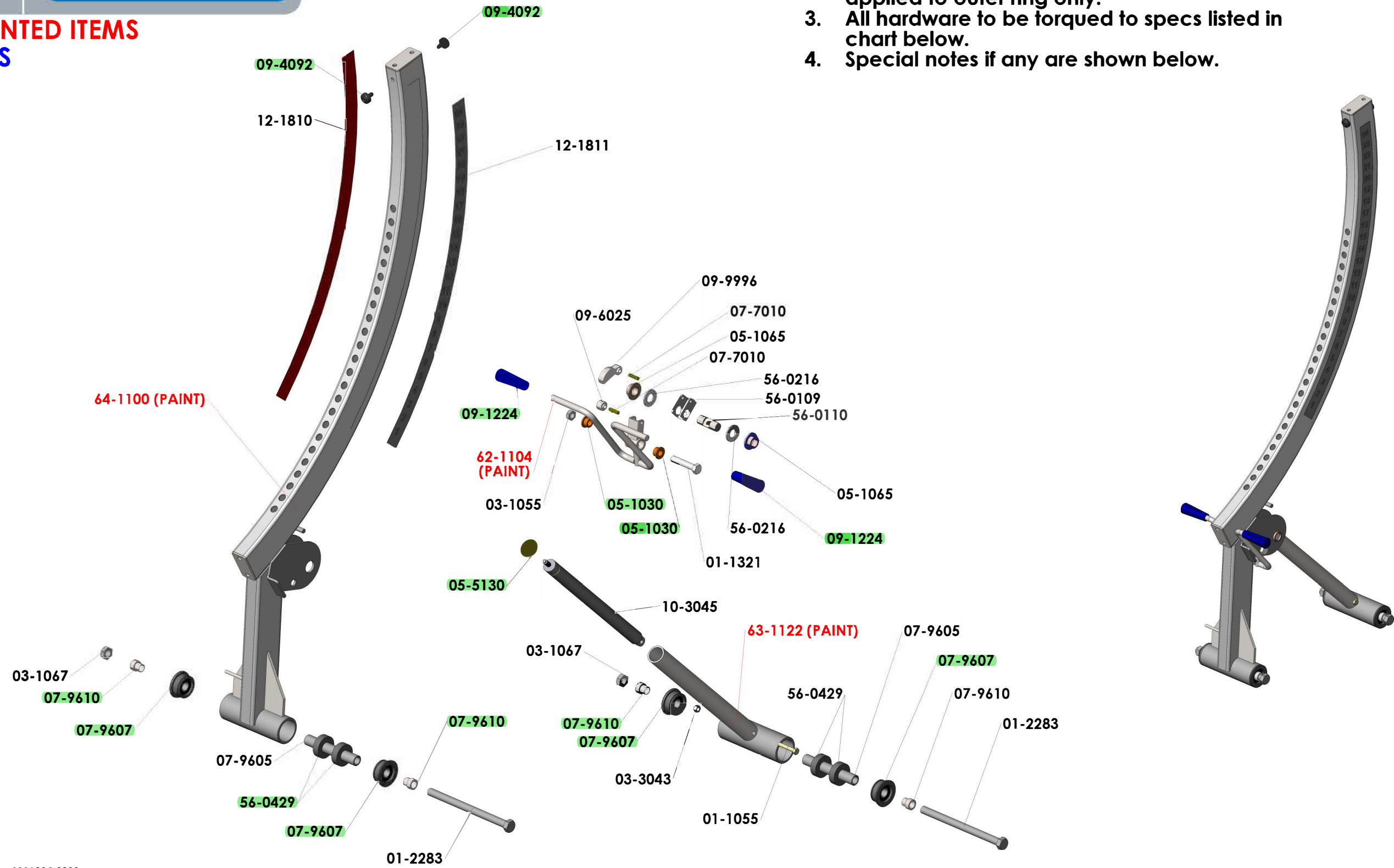
[www.medfitsystems.com](http://www.medfitsystems.com)





**Red: PAINTED ITEMS**  
**Blue: KITS**

1. All labeled components are to be assembled before shipment unless otherwise noted.
2. All bearings are to be pressed in with force applied to outer ring only.
3. All hardware to be torqued to specs listed in chart below.
4. Special notes if any are shown below.



**P3 Glute Ham**  
**P3GH**

Bolt Torque Specifications		
Size	Grade 5	Grade 8
	Torque (ft-lbs)	Torque (ft-lbs)
1/4-20	8	12
1/4-28	10	14
5/16-18	17	25
3/8-16	30	45
7/16-14	50	70
1/2-13	75	110
1/2-20	90	120
5/8-11	150	220
5/8-18	180	240

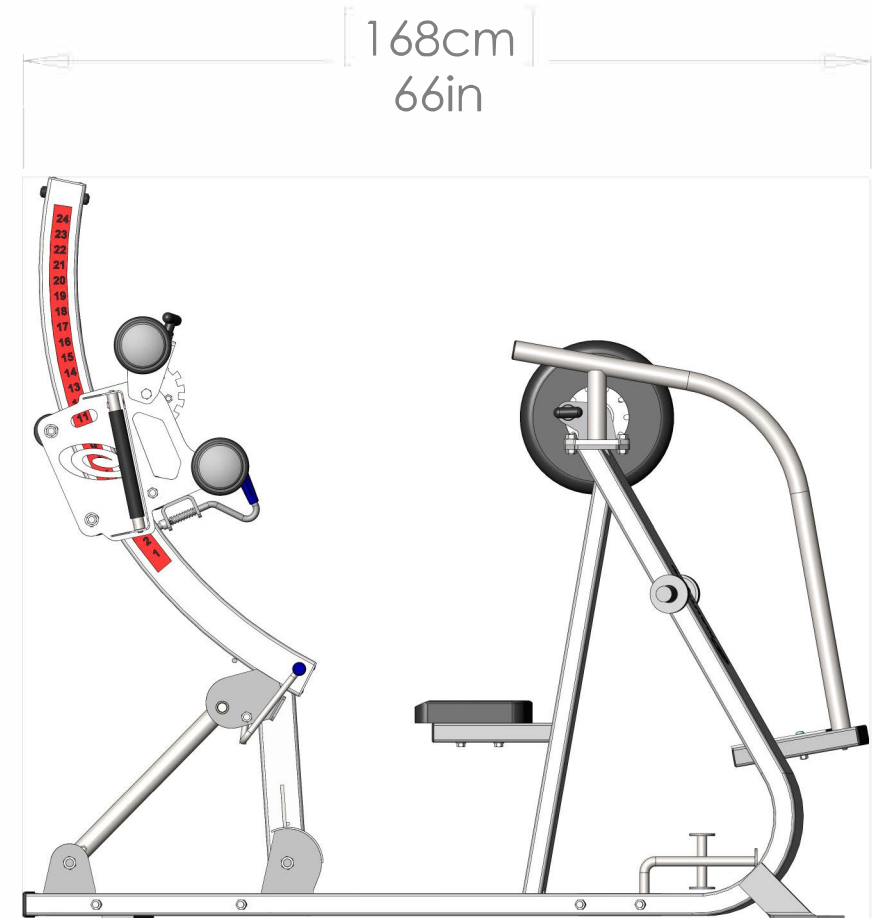
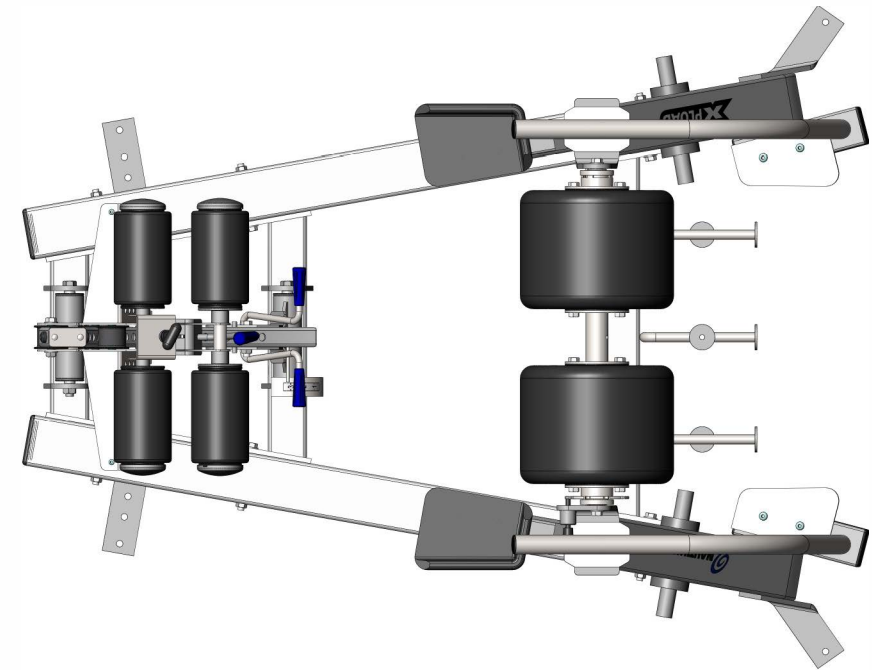
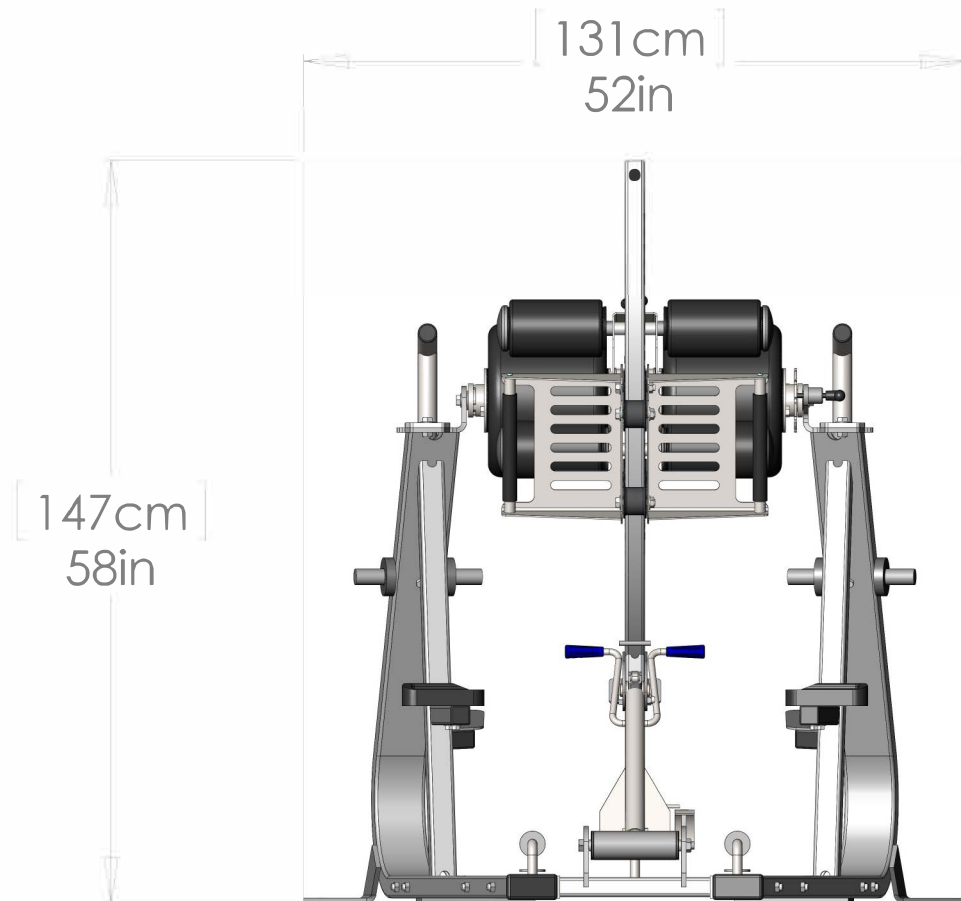
Customer Service & Parts 800/ 235-2233  
 General Parts Requests: parts@medfitsys.com  
 Field Service Requests: servicerequest@medfitsys.com  
 GSA Parts Requests: gsa@medfitsys.com  
 Med-Fit Systems, Inc. 800/ 831-7665

[www.medfitsystems.com](http://www.medfitsystems.com)

REV P



10/9/12	P3GH
<b>Units</b>	<b>Weight</b>
lbs	277
kg	126



Customer Service & Parts 800/ 235-2233  
General Parts Requests: parts@medfitsys.com  
Warranty Field Service Requests: servicerequest@medfitsys.com  
Med-Fit Systems, Inc. 800/ 831-7665

[www.medfitsystems.com](http://www.medfitsystems.com)

**P3 Glute Ham**  
**P3GH**

REV P





## Warranty Information

### Nautilus® XP Load™ Variable Resistance Warranty Limited Warranty Terms & General Specifications

Nautilus warrants only to the original purchaser that Nautilus® commercial exercise equipment from the manufacturer is free from defects in material and workmanship under normal use and service. Our obligation under this warranty shall be limited to the repair or exchange at our plant (a) of any part or parts of the structural frame, moving weldments or weight stacks which may thus prove defective under normal use and service for 12 years from delivery to the original purchaser; (b) of any moving part or parts not otherwise disclosed within this warranty which thus may prove defective under normal use and service within one (1) year from delivery to the original purchaser; and (c) of any upholstery, pads, grips or tethered weight pin connectors which thus may prove defective under normal use and service within 6 months from delivery to the original purchaser. This warranty only applies to those parts that our own examination discloses to our satisfaction to be thus defective. Nautilus will replace, free of charge, safety /caution decals which are missing or damaged.

**WARNING**  
Store indoors only. Do not subject machine to high humidity or damp conditions.

Nautilus Equipment Warranty	
2ST, Nitro Plus/Nitro, XP Load, and Free Weights	
12 Years	To original owner for frames, welded moving parts and weight stacks.
3 Years	To original owner under normal use and service for any moving part or parts not otherwise disclosed in this warranty.
1 Year	Labor warranty - To original owner.
6 months	Upholstery, pads, grips and tethered weight stack pins.
Equipment schematics available online at <a href="http://www.nautilus.com">www.nautilus.com</a> for faster repair diagnosis and parts delivery.	

This warranty is expressly in lieu of all other warranties, express or implied, including the warranties of merchantability and fitness for use and of all other obligations or liabilities on our part, and we neither assume nor authorize any other person to assume for us any other liability in connection with the sale of this NAUTILUS® commercial exercise equipment. This warranty shall not apply to this NAUTILUS® commercial exercise equipment or to any part thereof which has been subject to accident, negligence, alteration, abuse, misuse, or a lack of maintenance in accordance with our recommended maintenance instructions. We make no warranty whatsoever in respect to accessories or parts not manufactured by us and disclaim all warranties, express or implied, as to such accessories and parts. The term "original purchaser", as used in this warranty, shall be deemed to mean that person or entity for whom this NAUTILUS® commercial exercise equipment is originally installed. This warranty shall apply only within the boundaries of the continental United States.

NAUTILUS® shall not be liable for any loss or damage, including incidental or consequential damages resulting directly or indirectly from the use or loss of use of our NAUTILUS® commercial exercise equipment. Without limiting the generality of the foregoing, this exclusion from liability embraces the purchaser's expenses for downtime or for making up downtime, damages for which the purchaser may be liable to other persons, damages to property, and injury to or death of any persons. We neither assume nor authorize any person to assume for us any liability in connection with sale or use of our equipment. There are no oral agreements or warranties collateral to or affecting this agreement.

#### Dealer Acknowledgment Notice:

Nautilus Commercial Warranty times begin 30 days after product has been shipped from our manufacturing plant to your warehouse or storage site, unless otherwise specified at time of customer pickup.



## Maintenance INSTRUCTIONS

For XP Load Strength Training  
Equipment



Getting maximum results from Nautilus® machines depends on proper maintenance of equipment.

## Welcome

Congratulations on choosing Nautilus® XP Load™ strength training equipment. The addition of several exciting new features to the Nautilus® line, as outlined in these instructions, ensures that your equipment will operate with little scheduled maintenance. We know this is important to you and your customers, so please take a few minutes to read the following instructions for keeping your Nautilus® equipment in the best working condition.

## Contents

- Welcome .....1
- Parts & Service .....1
- Safety/Before Exercising .....2
- Maintenance Schedule .....2
- General Maintenance .....3
- Mini-Weight Stack Pin Replacement.....3
- Cleaning .....3
- Lubrication .....3
- Warranty Information .....4

## Parts & Services

Regular and scheduled maintenance will prolong the life of your Nautilus equipment. Should you have to replace parts, use only genuine Nautilus parts. The Nautilus Customer Service Team invites you to call in your order for replacement parts. They're never too busy to discuss or offer a tip on your maintenance tasks.

Nautilus machines — the culmination of years of research and refinement — are made from the highest quality materials, under exacting conditions. The quality control tag attached to each machine before shipping ensures that each unit has been thoroughly inspected to meet Nautilus' strict requirements.

Should you, the owner of a Nautilus machine, need to replace any parts because of normal wear and tear, or should your machine ever need maintenance, Nautilus invites you to call our Virginia Headquarters office for information on parts and service.

Nautilus has available: detailed isometric drawings on the website @ [www.nautilus.com](http://www.nautilus.com) for each machine manufactured, genuine Nautilus Upholstery Pads, Naugahyde® Spray Cleaner/Conditioner recommended for Nautilus upholstery pads and TFL #50 Wet Lubricant recommended for the care of the guide rods of Nautilus selectorized resistance machines.

Nautilus' concern for the customer does not end with the purchase of equipment. Your comments are always welcomed. In the unlikely event that a problem occurs, call us toll free:



Nautilus  
Customer Service  
800-NAUTILUS  
Fax: 276-773-2298

# Safety

- Supervision is necessary when the machine is used by or near children, invalids, or disabled persons.
- Follow the instructions for specific exercises on each machine
- Get in and out of the equipment carefully.
- Never operate the machine without shields in place.
- Use only Nautilus selector pins in weight stack. Never drop or insert any other object into machine opening.
- Use this machine only as intended or described in this manual.
- Do not operate equipment with loose or damaged parts. If machine fails to operate correctly, do not attempt to repair. Notify authorized personnel of the problem.
- Keep hands and feet clear of weights and other moving parts when in use. Keep hands and feet only on the hand grips and foot pads provided.
- Failure to comply with these instructions may result in personal injury.

Nautilus will replace, free of charge, safety /caution decals which are missing or damaged.

# CAUTION

Stop exercising immediately if you experience a sharp nerve or joint pain, and seek medical advice.

## Maintenance Schedule

	DAILY	WEEKLY	MONTHLY	EVERY 6 MONTHS
<b>General Maintenance</b>				
Check Safety & Warning Decals	n			
Inspect Belts & Cables	n			
Spot Check Belt			n	
Spot Check Nuts and Bolts			n	
Spot Check All Pegs and Stops			n	
Examine Rotation Points				n
<b>Cleaning</b>				
Clean Upholstery		n		
Use Quick Fill A-33 Disinfectant Cleaner.				
Clean Surface Area		n		
Remove Dust				n
<b>Lubrication</b>				
Lubricate and Clean Guide Rods Using TFL 50		n		
Do not lubricate hydraulic cylinders.				

# Before Exercising

To guard against injury, all equipment users should follow these instructions.

- Check with your physician and get approval before beginning a training routine.
- Become familiar with the equipment before beginning a training routine.
- Always warm-up before and cool down after exercising.
- Move slowly during each exercise. Do not jerk or "throw" the weight.
- Breathe freely. Do not hold your breath while lifting or lowering weight.
- Hold movement arms and handles firmly, do not squeeze or grip tightly.
- Structure each workout to exercise the largest muscles first. Suggested routines are found in the Nautilus Total Fitness Program.

Experiment to find the exact weight you need for each exercise. Select a resistance that allows you to perform eight to twelve slow repetitions. Take two seconds to lift the weight. Pause briefly, and take four seconds to lower the weight.

# General Maintenance

Frequency of maintenance is determined by several factors: temperature, humidity, use, ventilation and filtration, shielding and friction. External maintenance may vary from daily to monthly, internal maintenance from six months in a club environment to a year when used in a multi-user setting.

- SPOT CHECK LOOSE NUTS AND BOLTS**
  - Carefully check rotation points.
  - Tighten loose parts immediately. Also check for worn parts, seat belts and upholstery pads.
- UPHOLSTERY PAD TIGHTENING**

Most bolts on upholstery pads can be tightened with a 9/16" combination wrench.
- SHIELD REMOVAL**

Some Nautilus® machines are equipped with quick-release shield fasteners. To remove Quick-Release shielding, gently pull shielding away from the frame. Use a proper screw driver to remove shield, which is attached to the frame with screws.
- SHIELD INSTALLATION**

Snap Quick-Release in place. Tighten screws only snugly. Use correct Phillips screw driver.

# Lubrication

## MOVING PARTS

To clean and lubricate guide rods, apply TFL #50 Wet Lubricant to a clean cloth then use to wipe rods.

\*TFL 50 Wet Lubricant Recommended for Nautilus Machines.



PART NUMBER 19-1160

**WARNING**  
Do not lubricate MOVING PARTS. May cause damage and VOID WARRANTY.

Do not place equipment in direct sunlight as ultra violet rays can damage shields and upholstery.

# Cleaning

- UPHOLSTERY CLEANING AND PROTECTION**
  - Keep pads free of perspiration at all times.
  - Clean and disinfect upholstery at the end of each day, especially areas where perspiration and scalp oil collect.
  - Clean all outside surfaces with non-abrasive, non-chlorinated household cleaners. Viraho® Disinfectant Cleaner is an effective upholstery care product.
- CLEANING AND CARE OF PAINTED SURFACES**
  - Wipe painted surfaces with a damp cloth and car wax.
  - Let dry and buff with a dry cloth.

## QUICK FILL A-33

### Detergent/Disinfectant/Odor Counteractant



An outstanding liquid quaternary-based product for use in areas where there's heavy soiling. Provides the best odor counteraction available from a disinfectant. Available in ready-to-use; no mixing or dilution 16 oz. spray bottle. USDA Code 1, EPA Reg. 42964-

## TO PLACE AN ORDER

Give our friendly Customer Service Representatives a call to order this product or any other Genuine Nautilus Parts

1-800-235-2233

PART NUMBER 19-1175